

**Canon**

*BCTV LENS ACCESSORY*  
**ZSD-300D**  
*SERVO ZOOM DEMAND*

取 扱 説 明 書

OPERATION MANUAL

ご使用前に必ずこの取扱説明書をお読みください。

なお、取扱説明書は必要に応じてご覧になれるよう大切に保管してください。

Read this operation manual before using the product.

Keep the manual safe so that it can be referenced when it is needed.

**J/E**



ENGLISH VERSION





We, Canon Inc., in Japan and Canon Europa N. V., in The Netherlands, confirm that the **ZSD-300** series zoom lens accessory is conformity with the essential requirements of EC Directive(s)

by applying the following standards

EN55103-1, and EN55103-02

Note:

a) Applicable Electromagnetic Environment:

E1 (Residential area)


E2 (Commercial and light industrial area)

E3 (Urban outdoors area)

b) Use of shielded cable is required to comply with limits specified by above standards.

部件名称	有毒有害物质或元素					
	铅 (Pb)	汞 (Hg)	镉 (Cd)	六价铬 (Cr(VI))	多溴联苯 (PBB)	多溴二苯醚 (PBDE)
电气实装部分	×	○	×	○	○	○
金属部件	×	○	○	○	○	○

○: 表示该有毒有害物质在该部件所有均质材料中的含量均在 SJ/T11363-2006 标准规定的限量要求以下。  
×: 表示该有毒有害物质至少在该部件的某一均质材料中的含量超出 SJ/T11363-2006 标准规定的限量要求。

 FOR P. R. C. ONLY  
本标志适用于在中华人民共和国销售的电子信息产品、标志中央的数字代表产品的环保使用期限。

## INTRODUCTION

Thank you for purchasing the ZSD-300 Servo Zoom Demand in Canon's TV Zoom Lens Accessory Series. These instructions explain the functions and operation of the ZSD-300D, and they outline the precautions to be heeded during the unit's operation. Before use, please read through and familiarize yourself with the instructions, and then keep them in a safe place for future reference.

## GENERAL DESCRIPTION

The ZSD-300D servo zoom demand is used to perform remote zoom operations.

# CONTENTS



GENERAL SAFETY INFORMATION ..... 18

§1. CONFIGURATION ..... 23

§2. MOUNTING AND CONNECTING ..... 24

§3. OPERATION ..... 26

TECHNICAL DOCUMENTS : EXTERNAL VIEW AND  
 GENERAL CIRCUIT  
 DIAGRAM ..... 29

## —MAJOR LENS TYPES EXPLAINED IN THIS MANUAL—

○ The classifications for the lens types explained in this manual are shown below. The "R" type and "A" type lenses require conversion cable CC-0820 and some functions are limited.

Lens models			
Type digital "R"	Type digital "A"	Type "R"	Type "A"
KRSD	KASD	KRS	KAS
IRSD	IASD	IRS	IAS
WRSD	WASD	WRS	WAS
VRSD	VASD	VRS	VAS





## GENERAL SAFETY INFORMATION

The safety warnings and cautions provided on the product or in this operation manual must be observed. Failure to observe warnings and cautions provided to guard against hazards may result in injury or accident.

Read this operation manual carefully to familiarize yourself with its contents and ensure that you can operate the product properly.

Also, store this manual in a safe place where it can easily be referenced whenever required.

This operation manual uses the following symbols and terms to identify hazards to protect you and others by aiming to prevent the occurrence of accidents.

 <b>WARNING</b>	Indicates hazardous situations which, if not heeded, may result in death or serious injury to you or other persons.
 <b>CAUTION</b>	Indicates hazardous situations which, if not heeded, may result in minor or moderate injury to you or other persons, or damages to your property.
<b>※ (NOTE)</b>	Emphasizes essential information which, if not heeded, may render the product unworkable or cause it to function improperly. Also, provides helpful information for you operation.

## HANDLING THE PRODUCT



### WARNING

1. Never allow water to enter or be spilled on the product. Immediately stop using the product if water enters the product. Otherwise, a fire or electric shock hazard may result.



### CAUTION

1. When transporting the product, take care not to let the product drop, as this may result in injury.
2. Be sure to tighten the mounts firmly. If the mounts become loose, the product may fall and result in injury.
3. Always grasp the connector portion when disconnecting the connection cable. Pulling on the cable portion may result in damage to the cable by exposing or breaking the conductors. Electric leakage from a damaged cable could result in fire or electric shock.
4. Inspect all mountings periodically (about every 6 months to 1 year) to make sure they are securely tightened, and tighten any loose portions. Otherwise, the product may fall, possibly causing injury.
5. If it becomes necessary to repair this product, or to perform any operations or adjustments not mentioned in this operation manual, contact Canon's representative or the dealer who originally supplied the lens.

### ※ (NOTE)

1. Protect the product from strong impacts of shocks. Striking or dropping the lens may result in a malfunction.
2. This product is not completely waterproof, so avoid exposing it directly to rain or snow. When the product must be used in rain or snow, provisions should be made to prevent the product from getting wet.
3. If the product is to be used in adverse environments, such as in a chemical laden atmosphere, consult with Canon's representative beforehand.

## DEALING WITH ABNORMALITIES



### WARNING

1. Should any of the abnormalities described below occur, immediately disconnect the cable, and then contact Canon's representative or the dealer from whom you purchased the product.
  - Smoke, unusual smells or unusual noise
  - Entry of foreign objects (metals, liquids, etc.) inside the product

## MAINTENANCE AND INSPECTION



### CAUTION

1. Never use flammable substances such as benzene or thinner for cleaning, as these substances may present a serious fire or electric shock hazard.

### ※ (NOTE)

1. Periodic inspection

A periodic inspection about once a year is recommended.

The inspection and maintenance interval depends on the operating conditions, the frequency of use, and the environment. If required, overhaul the lens.

## STORAGE

### ※ (NOTE)

1. Moisture inside the product

If the product becomes damp because of use in fog, mist or drizzle, wipe off the moisture with a soft dry cloth and seal the product together with an efficient desiccant in a vinyl bag to remove moisture which has entered into the interior.



## TO THE CUSTOMER

1. Canon shall bear no responsibility for damage resulting from improper operation of this product by the customer.
2. Canon shall make no guarantees about the product quality, functions, or operation manual and its marketability and suitability for the customer's purpose.  
Moreover, Canon shall bear no responsibility for any damage, direct or incidental, that results from usage for the customer's purpose.
3. Canon shall make no guarantees about the results obtained using this product or the operation manual.
4. The product specifications, configuration, and appearance are subject to change without prior notice.
5. Repairs or modifications of this product, or adjustments not mentioned in this operation manual require special service manuals and training in some cases. For further information on these adjustments, repairs or modifications, contact your Canon dealer or your Canon sales representative.
6. Note that Canon may be unable to undertake servicing or repair of a product if it is modified without consulting Canon or your Canon sales representative.

Contact :

Broadcast Equipment Group

Canon Inc.

23-10 Kiyohara Kogyo Danchi,

Utsunomiya-shi, Tochigi-ken, 321-3298, Japan

TEL: 81-(028)-667-5711

FAX: 81-(028)-667-8672

---

©2007 Canon Inc.

All right reserved. No part of this operation manual may be reproduced or copied in any form or by any means without the written permission of Canon Inc.

## § 1. CONFIGURATION

Make sure all of the following items are included in the packing box.

(If you find any item missing, please contact the dealer from whom you purchased this product.)

UNIT	Q'TY
SERVO ZOOM DEMAND <ZSD-300D> .....	1
CLAMP .....	1
OPERATON MANUAL .....	1
SEAL .....	1

※ (NOTE): Storage environment

Check the following point, and make sure the place where the lens is stored satisfies the following conditions.

1) Store the lens only under the following ambient conditions.

Ambient temperature : -30°C to +60°C

Ambient humidity : up to 60%RH (no condensation)

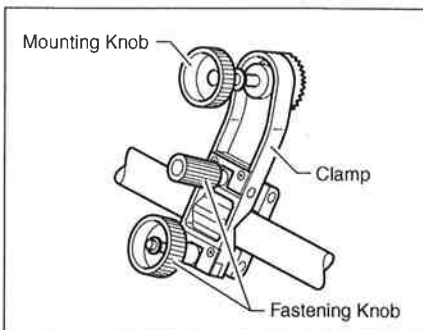
2) Do not subject the product to strong physical shocks or vibration.

## § 2. MOUNTING AND CONNECTING

### 1. To mount the clamp

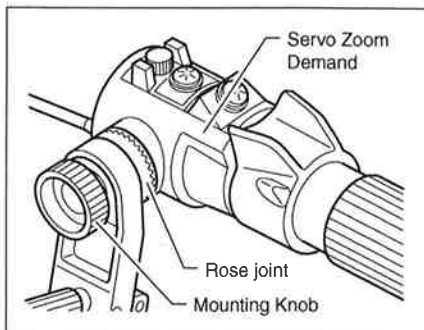
Loosen the large and small fastening knobs of the clamp provided with the flexible zoom control unit.

Mount this unit onto panning rod of the tripod, and tighten both fastening knobs to secure the clamp.



### 2. To mount the servo zoom demand

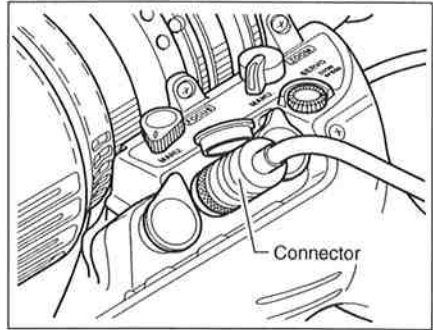
Mate the rose joint of the servo zoom demand with the rose joint of the clamp. Then tighten them with the mounting knob of the clamp by turning clockwise.



### 3. To connect the cable

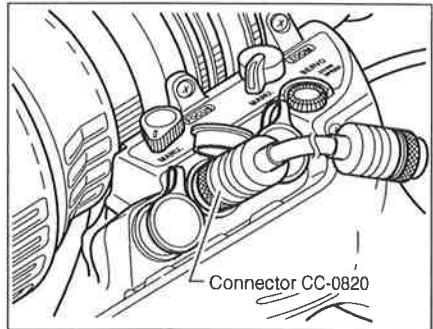
For digital “R” type and digital “A” type lenses

Connect the servo zoom demand cable to the zoom remote and focus remote connector (20-pin, normally covered by a cap) at the bottom of the lens drive unit. Connection may be made to either of these two connectors.



For the type “R” and type “A” lenses

Connect the connector (20-pin) of the servo zoom demand cable to the zoom remote connector (8-pin, normally covered by a cap) at the bottom of the lens drive unit via the CC-0820 conversion cable (provided separately).



## § 3. OPERATION

Set the zoom operation change-over knob at the bottom of the lens drive unit to the SERVO position. This setting operation can be performed more smoothly if the knob is moved while rotating the zoom ring slightly.

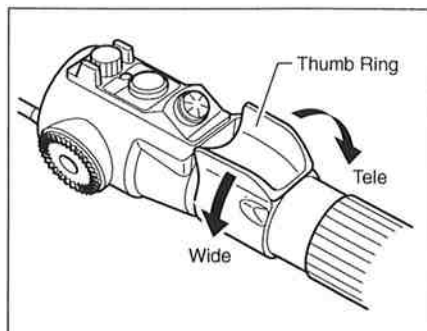
### 3-1. Servo zoom operation

#### ● Zooming

The zoom function is controlled by turning the thumb ring of the servo zoom demand.

How much the thumb ring is rotated determines the zooming speed.

The zooming speed varies according to the rotation angle of thumb ring.

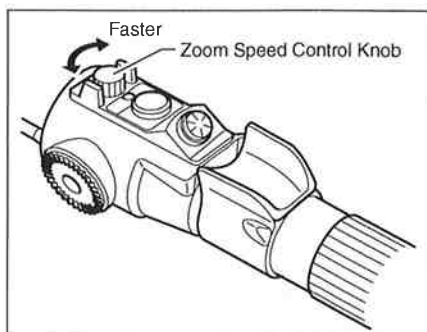


#### ● Adjusting the max. zoom speed

The max. zoom speed, obtained by completely turning the thumb ring of the servo zoom demand, is changeable with the zoom speed control knob.

Turning this knob in arrow direction, faster speed can be obtained.

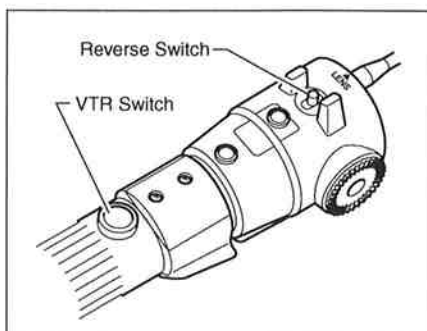
Turning this knob in reverse direction, lower speed can be obtained.



#### ● To change the zooming direction

The thumb ring of the servo zoom demand is factory set to zoom in (telephoto), when it is pressed toward the right.

However, this zoom direction may be changed by switching the position of the reverse switch.



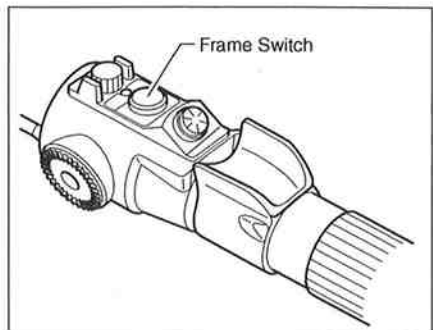
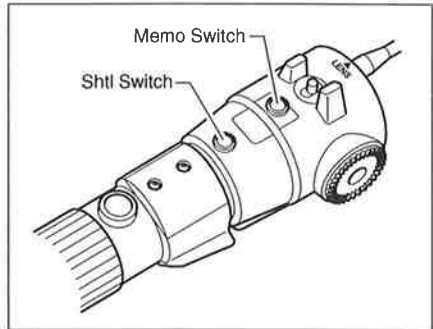
### 3-2. Applied servo zoom operations

These operations can be performed for the digital “R” type and digital “A” type lenses. The “Shtl” switch, “Frame” switch and “Memo” switch on the zoom servo demand correspond to their counterparts on the lens itself. The main functions are as follows.

- Function 1. Shuttle shot ..... This comes in handy for shots involving frequent switching between two picture angles.
- Function 2. Framing preset ..... This makes it easy to reproduce a preset picture angle and zoom speed during a rehearsal, etc.
- Function 3. Speed preset ..... This presets the zoom speed during a rehearsal, etc. and enables the preset speed to be reproduced repeatedly.

The “Shtl” switch, “Frame” switch and “Memo” switch as well as the “VTR” switch and “RET” switch on the zoom servo demand which are used for these operations correspond to their counterparts on the lens unit. However, the DIP switches on the lens unit which are used to perform various settings must be set to their proper positions.

For further details on operation and functions, refer to the lens unit’s operation manual.

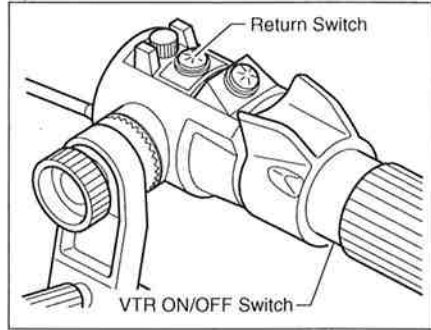


### 3-3. Return switch and VTR ON/OFF switch

One return switch and one VTR ON/OFF switch are installed on the servo zoom demand. These switches are equivalent to those on the lens drive unit.

While pressing the return switch, the external video picture sent to the camera head can be seen on the view-finder.

Press VTR ON/OFF switch to execute the operation of VTR and press again to stop the operation of VTR.



資料集



TECHNICAL DOCUMENTS





## — 資料集の目次 —

## — TABLE OF THE CONTENTS FOR THE TECHNICAL DOCUMENTS —

資料集として「外観図と総合結線図」をまとめてあります。  
必要に応じてご使用ください。

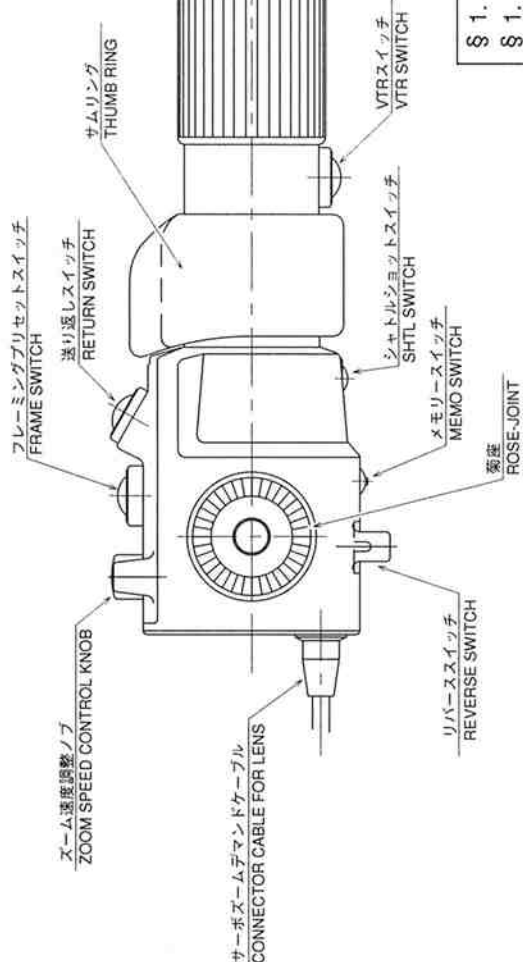
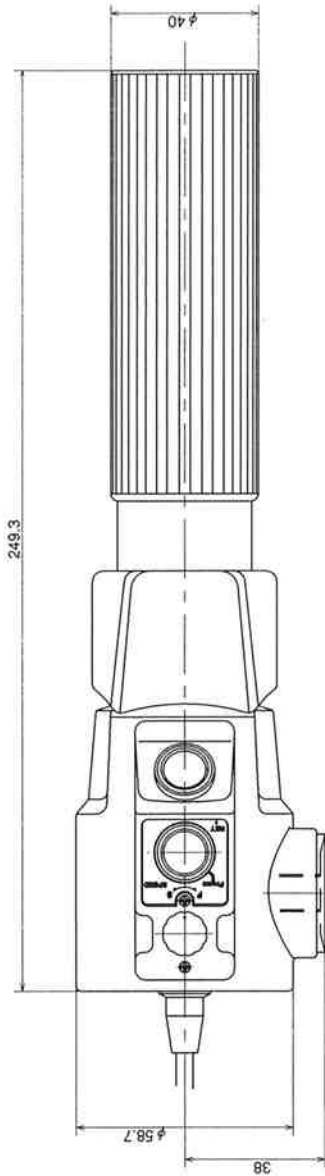
The technical documents consists of a general circuit diagram, lens external view. They should be referenced as required.

§ 1. 外観図 .....30

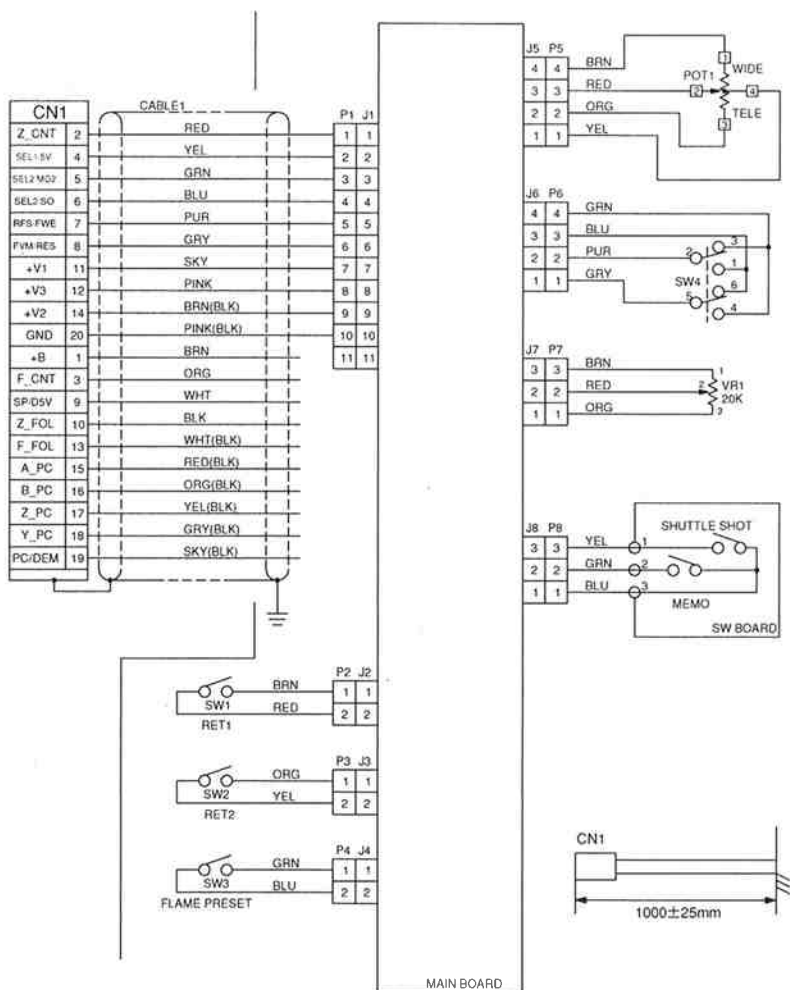
§ 1. EXTERNAL VIEW ..... 30

§ 2. 総合結線図 .....31

§ 2. GENERAL CIRCUIT  
DIAGRAM..... 31



§ 1. ZSD-300D 外觀図  
 § 1. EXTERNAL VIEW for ZSD-300D



§ 2. ZSD-300D 総合結線図  
 § 2. GENERAL CIRCUIT DIAGRAM for ZSD-300D

BG2-7697-A501\_03

# Canon

---

キヤノン株式会社

放送機器事業部

〒321-3298

栃木県宇都宮市清原工業団地 23-10

Telephone: 028-667-5711

CANON INC.

Broadcast Equipment Group

23-10, Kiyohara-kogyo-danchi, Utsunomiya-

shi, Tochigi-ken, 321-3298, Japan

Telephone: 81-(028)-667-5711

仕様・外観・商品構成等はお断りなく変更することがあります。

Subject to change without notice.